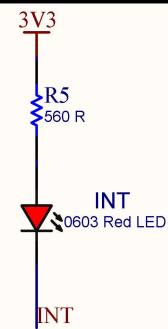
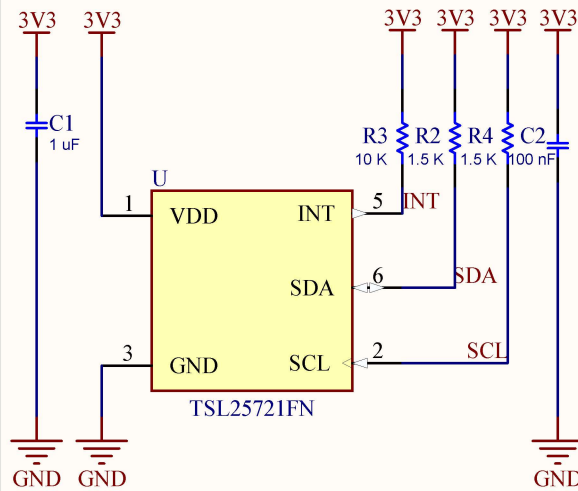


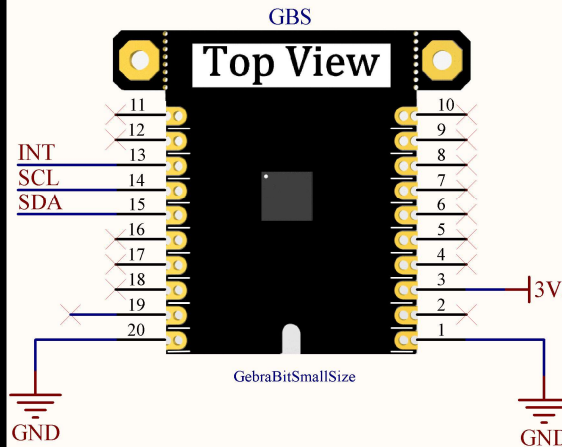
POWER LED



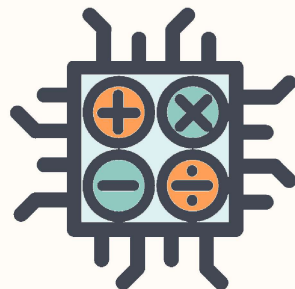
INTERRUPT LED



TSL25721FN CIRCUIT



GEBRABIT PINOUT



GebraBit

[HTTPS://GEBRABIT.COM/](https://gebrabit.com/)

Title: GebraBit TSL25721FN Schematics		Variant: [No Variations]	
Page Contents: GebraBit TSL25721FN Circuits		Checked by: M.Z	
Size: Small	SKU CODE: GB613EN	Revision: V2.0	
Date: 06/24/2023	Designed by: GEBRABIT	Sheet 1	of 1