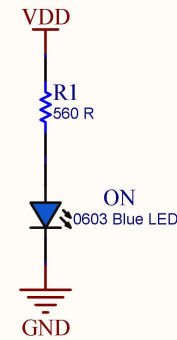
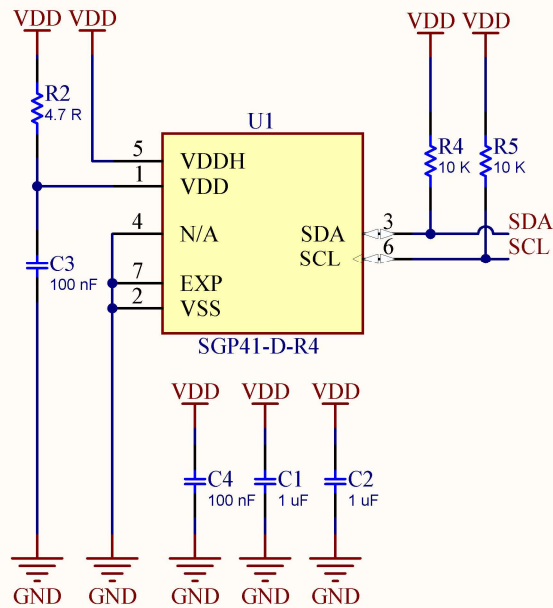


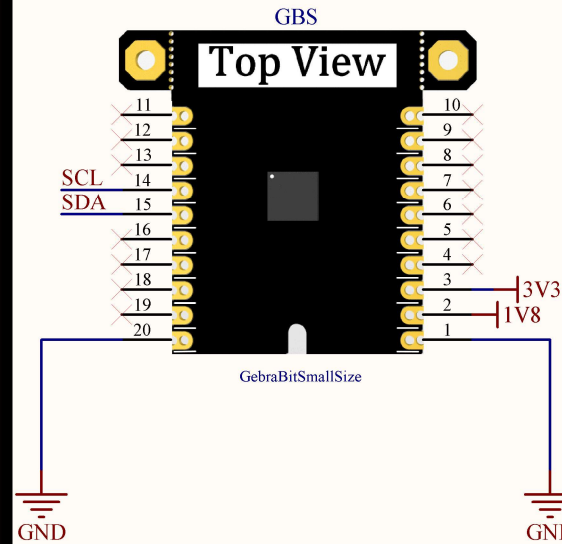
POWER



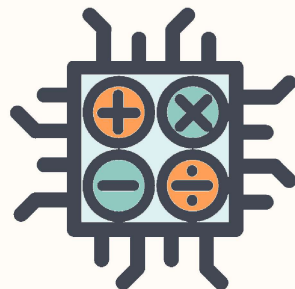
POWER LED



SGP41-D-R4 CIRCUIT



GEBRABIT PINOUT



Gebrabit

[HTTPS://GEBRABIT.COM/](https://gebrabit.com/)

Title: Gebrabit SGP41-D-R4 Schematics		Variant: [No Variations]	
Page Contents: Gebrabit SGP41-D-R4 Circuits		Checked by: M.Z	
Size: Small	SKU CODE: GB605EN	Revision: V2.0	
Date: 06/27/2023	Designed by: GEBRABIT	Sheet 1	of 1