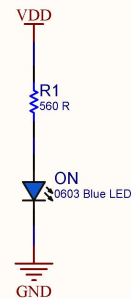
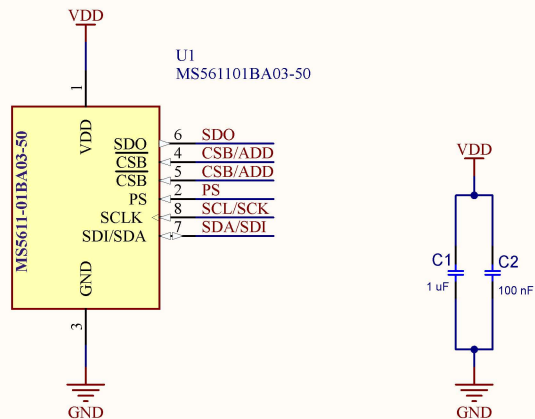


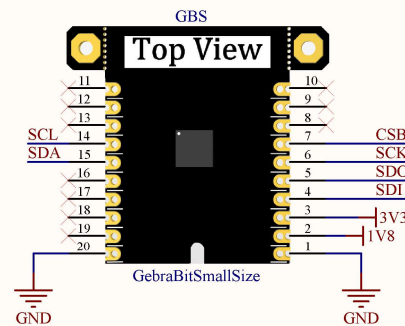
## POWER



## POWER LED

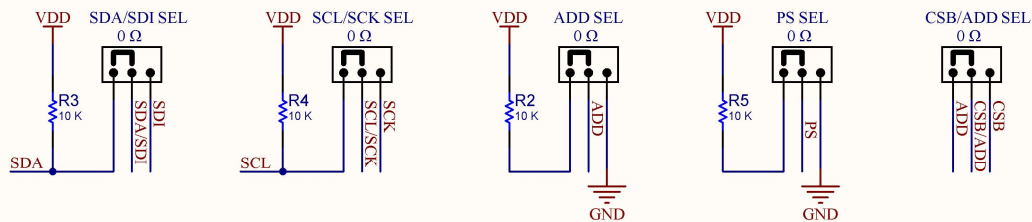


## MS5611-01BA03-50

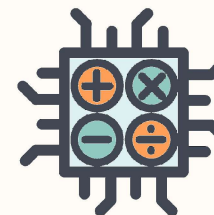


## GEBRABIT PINOUT

## I2C IS SELECTED BY DEFAULT



## PROTOCOL SELECTOR



**GebraBit**  
[HTTPS://GEBRABIT.COM/](https://gebrabit.com/)

Title: GebraBit MS5611-01BA03-50 Schematics		Variant: [No Variations]	
Page Contents: GebraBit MS5611-01BA03-50 Circuit		Checked by: S,A	
Size: SMALL	SKU CODE: GB640EN	Revision: V2.0	
Date: 05/23/2023	Designed by: GEBRABIT	Sheet 1 of 1	