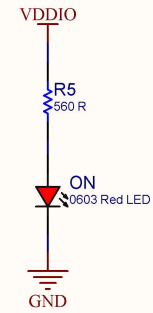
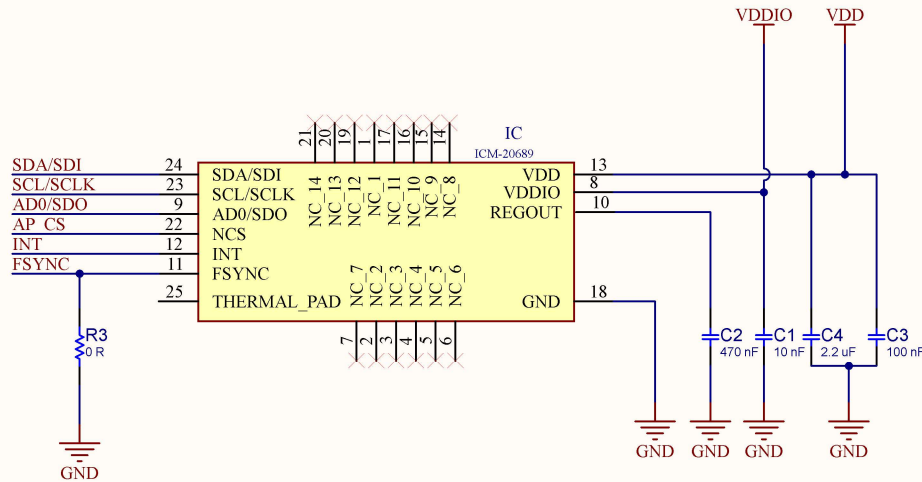


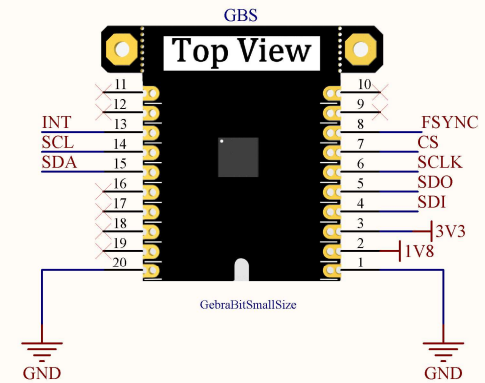
POWER



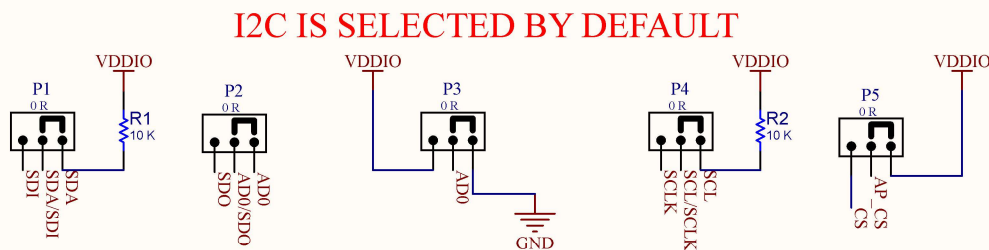
POWER LED



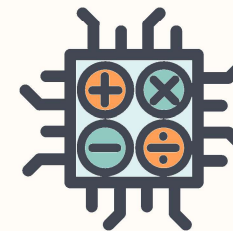
ICM20689



GEBRABIT PINOUT



PROTOCOL SELECTOR



GebraBit
[HTTPS://GEBRABIT.COM/](https://gebrabit.com/)

Title: GebraBit ICM20689 Schematics		Variant: [No Variations]	
Page Contents: GebraBit ICM20689 Circuits		Checked by: M.Z	
Size: Small	SKU CODE: GB306IM	Revision: V2.0	
Date: 10/03/2022	Designed by: GEBRABIT	Sheet 1	of 1