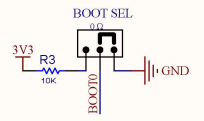
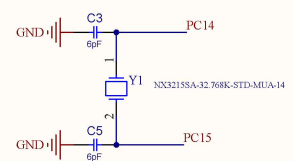


POWER

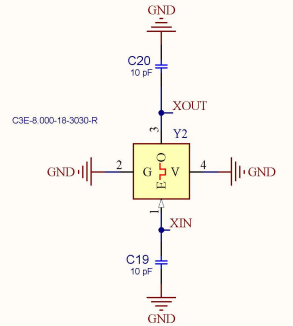


By default "BOOT SEL" jumper is shorted to the GND

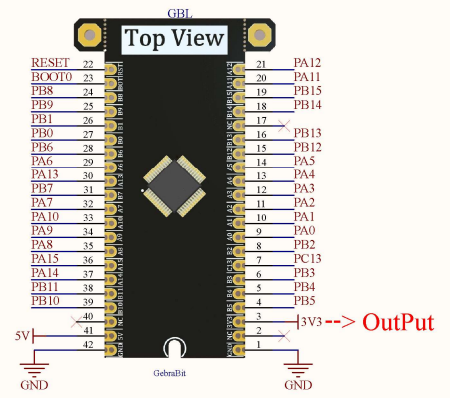
BOOT SEL



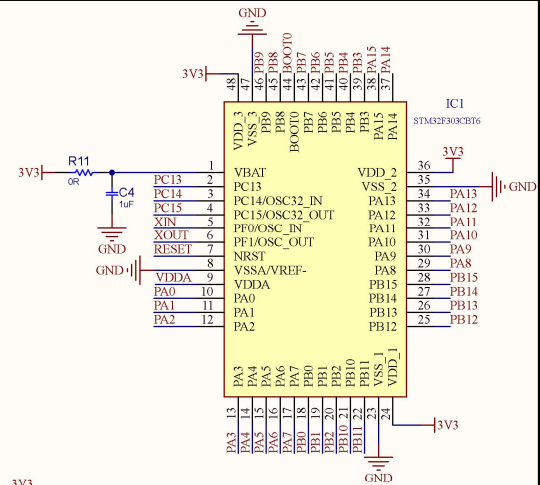
MCU 32.768KHz CRYSTAL



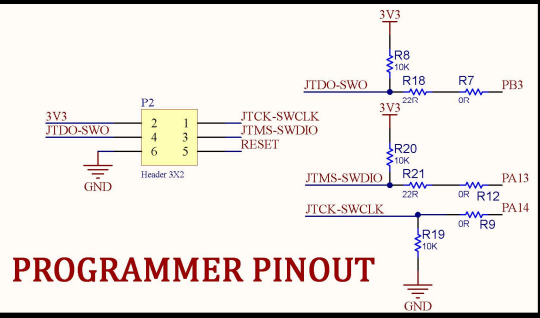
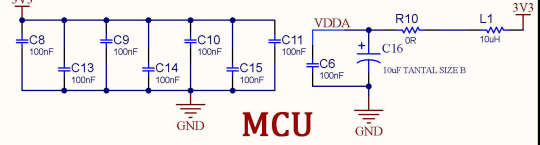
MCU 8MHz CRYSTAL



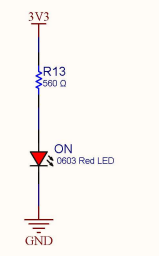
GEBRABIT MCU MODULE PINOUT



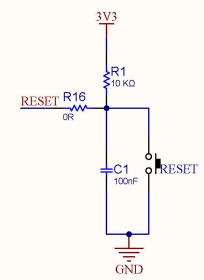
MCU



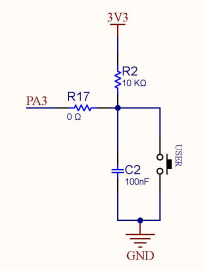
PROGRAMMER PINOUT



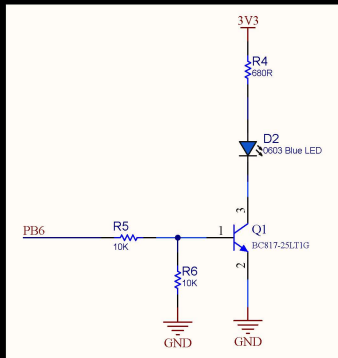
POWER LED



RESET BUTTON

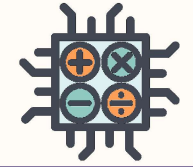
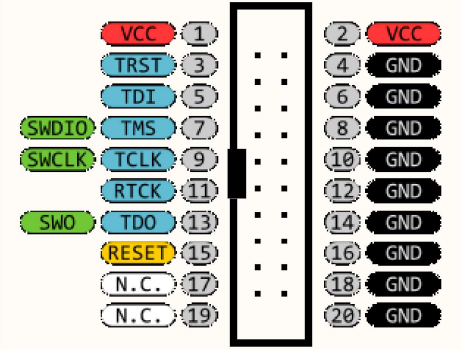


USER BUTTON



USER LED

JTAG HEADER



Gebrabit
[HTTPS://GEBRABIT.COM/](https://gebrabit.com/)

Title: Gebrabit STM32F303 Schematics		Variant: [No Variations]	
Page Contents: Gebrabit STM32F303 Circuits		Checked by: M.Z	
Size: LARGE	SKU CODE: GB100ST	Revision: V2.0	
Date: 10/03/2022	Designed by: GEBRABIT		Sheet 1 of 1