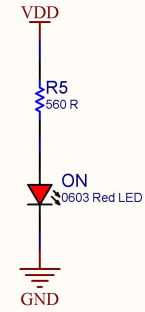
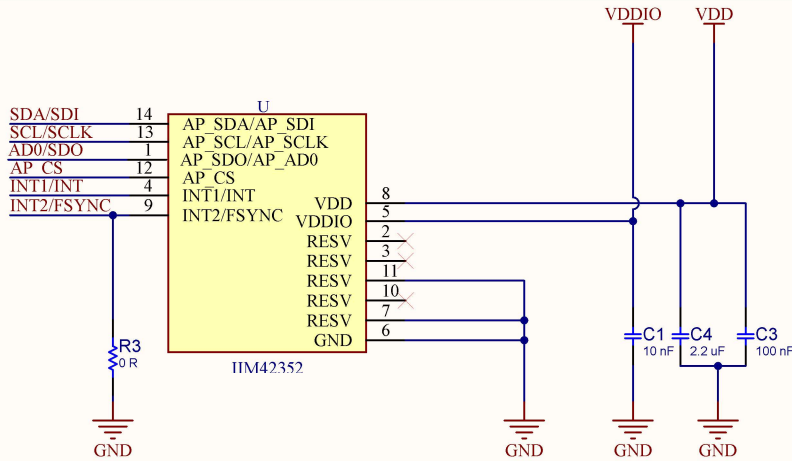


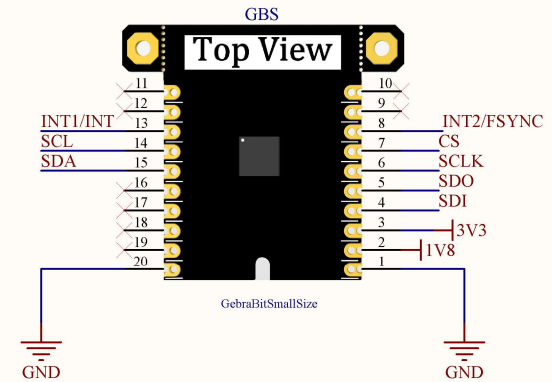
## POWER



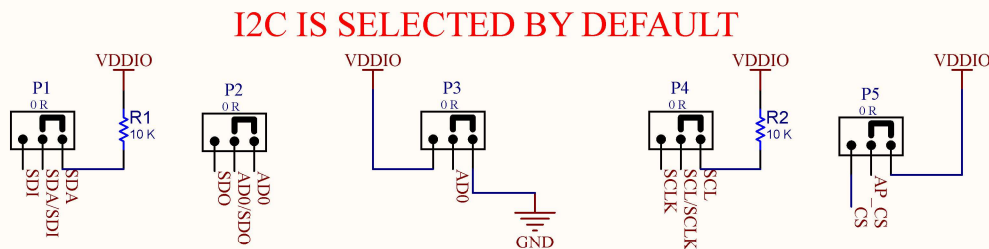
## POWER LED



## IIM42352

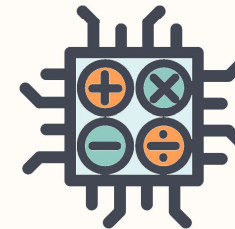


## GEBRABIT PINOUT



## I2C IS SELECTED BY DEFAULT

## PROTOCOL SELECTOR



GebraBit  
[HTTPS://GEBRABIT.COM/](https://gebrabit.com/)

Title: GebraBit IIM42352 Schematics		Variant: [No Variations]	
Page Contents: GebraBit IIM42352 Circuits		Checked by: M.Z	
Size: Small	SKU CODE: GB310A	Revision: V2.0	
Date: 10/03/2022	Designed by: GEBRABIT	Sheet 1	of 1