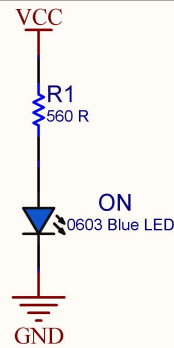
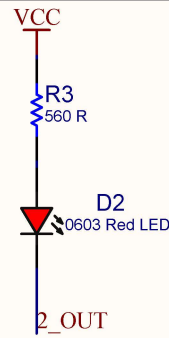


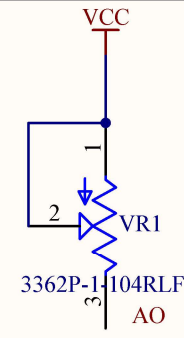
POWER



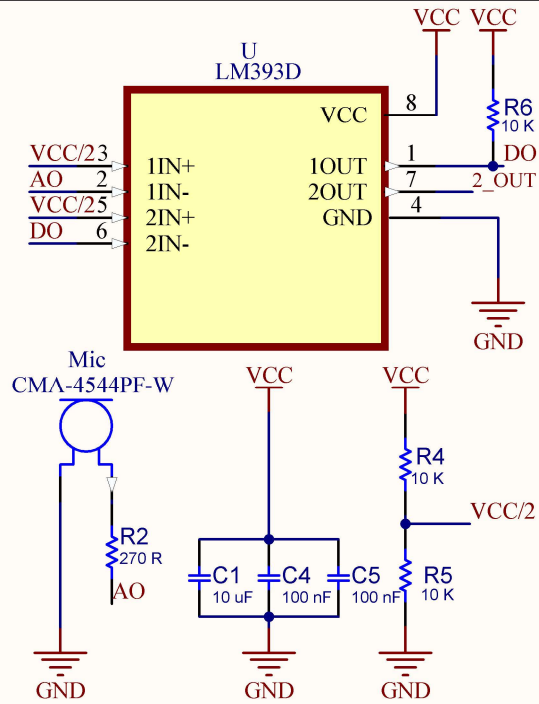
POWER LED



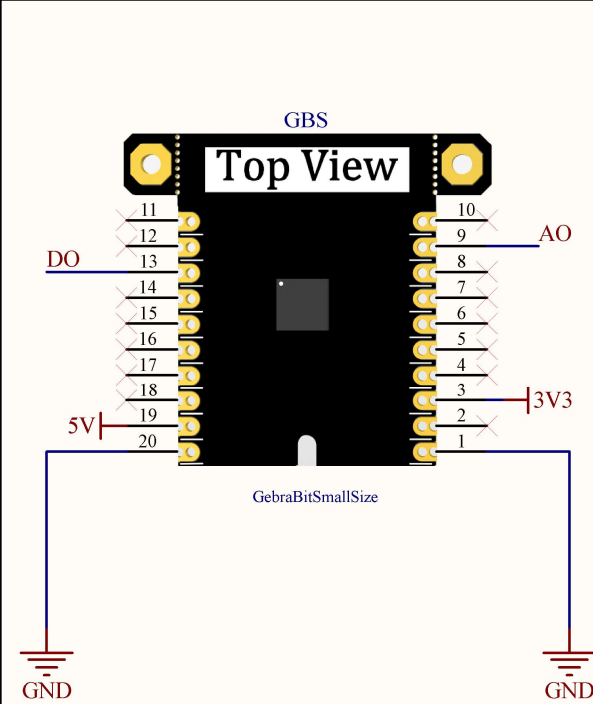
SOUND LED



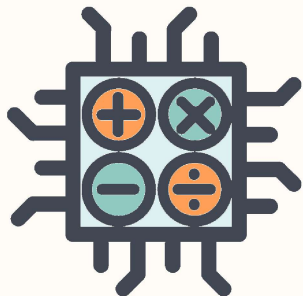
SENSITIVITY POT



SOUND DETECTOR CIRCUIT



GEBRABIT PINOUT



GebraBit

[HTTPS://GEBRABIT.COM/](https://gebrabit.com/)

Title: GebraBit Sound Detector Schematics		Variant: [No Variations]	
Page Contents: GebraBit Sound Detector Circuits		Checked by: M.Z	
Size: Small	SKU CODE: GB702SV	Revision: V2.0	
Date: 10/03/2022	Designed by: GEBRABIT	Sheet 1	of 1