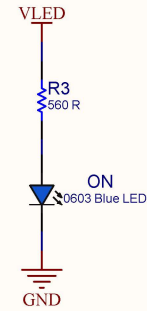
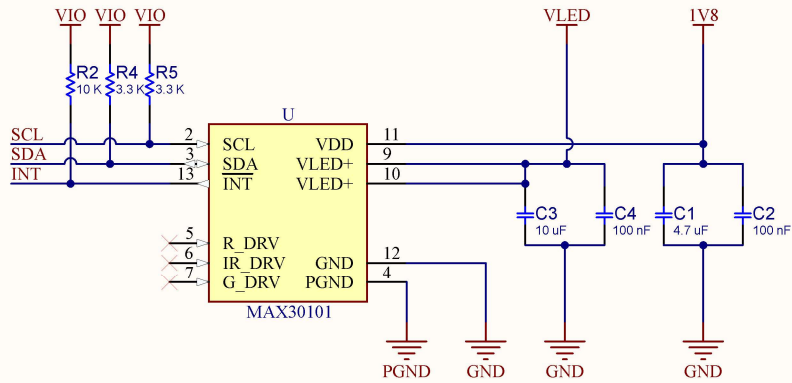


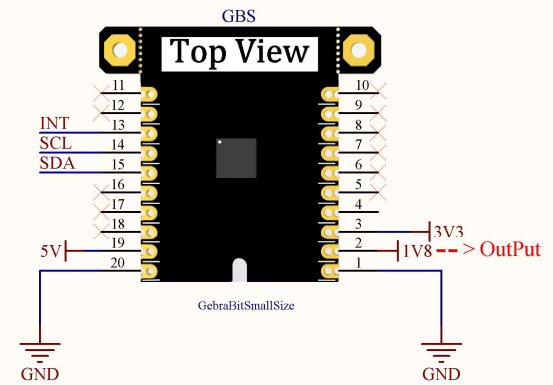
POWER



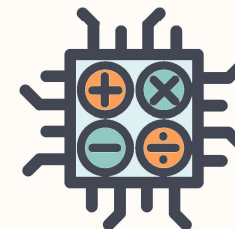
POWER LED



MAX30101



GEBRABIT PINOUT



GebraBit

[HTTPS://GEBRABIT.COM/](https://gebrabit.com/)

Title: GebraBit MAX30101 Schematics		Variant: [No Variations]
Page Contents: GebraBit MAX30101 Circuits		Checked by: M.Z
Size: Small	SKU CODE: GB200M	Revision: V2.0
Date: 10/03/2022	Designed by: GEBRABIT	Sheet 1 of 1