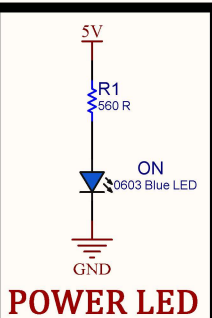
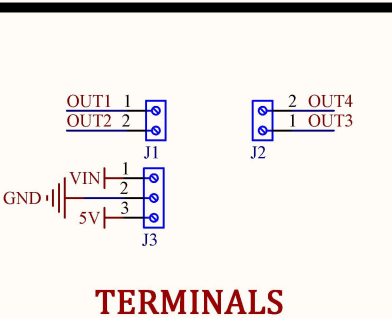


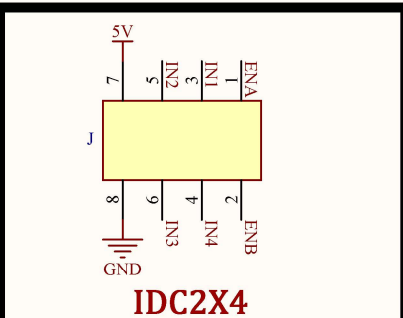
**POWER**



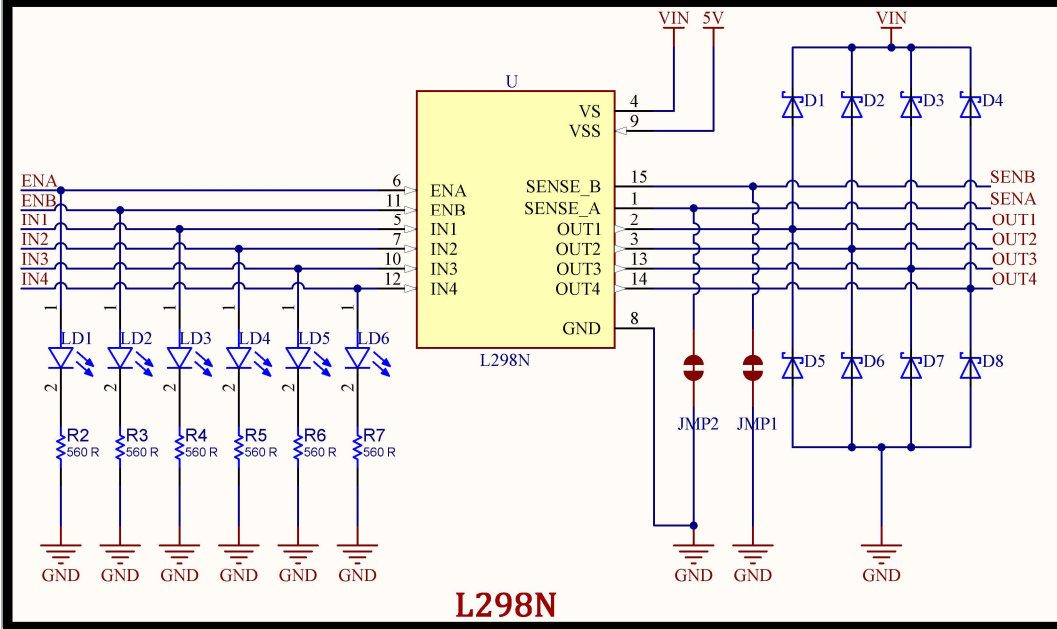
**POWER LED**



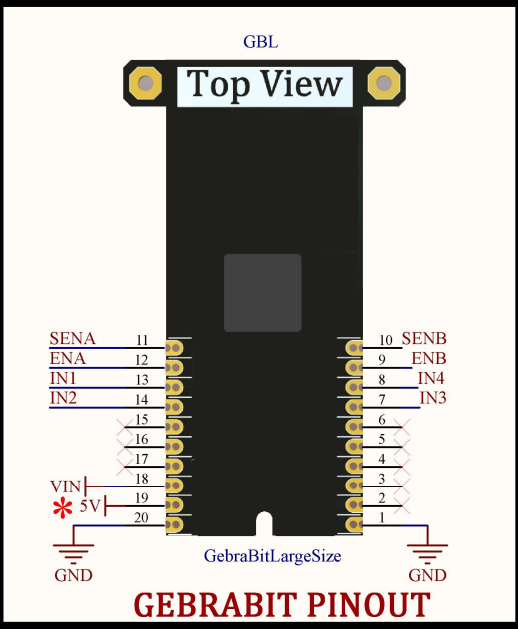
**TERMINALS**



**IDC2X4**

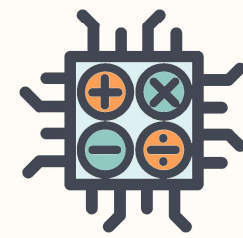


**L298N**



**GEBRABIT PINOUT**

**\*Note:5V Pins are Output if "JMP3" is shorted**



<b>GebraBit</b>			
<a href="https://gebrabit.com/">HTTPS://GEBRABIT.COM/</a>			
Title:	GebraBit L298N Circuits	Variant:	[No Variations]
Page Contents:	GebraBit L298N Circuits	Checked by:	M.Z
Size:	Large	SKU CODE:	GB800DM
		Revision:	V2.0
Date:	10/03/2022	Designed by:	GEBRABIT
		Sheet	1 of 1