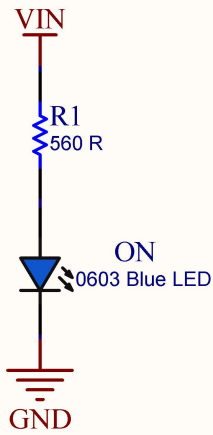
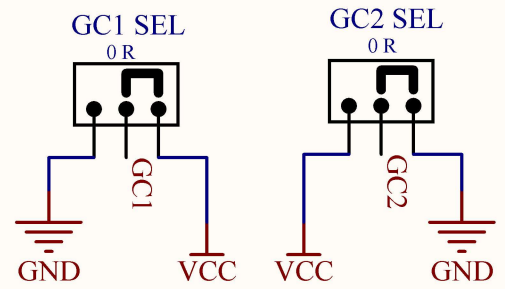


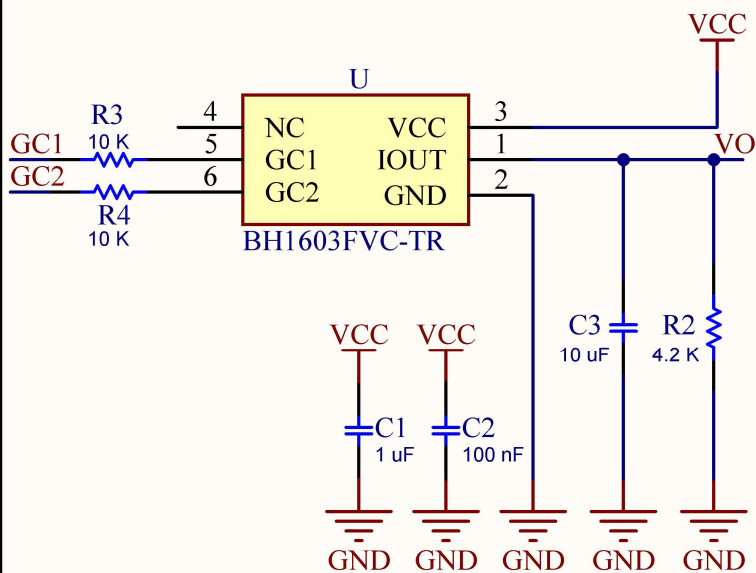
POWER



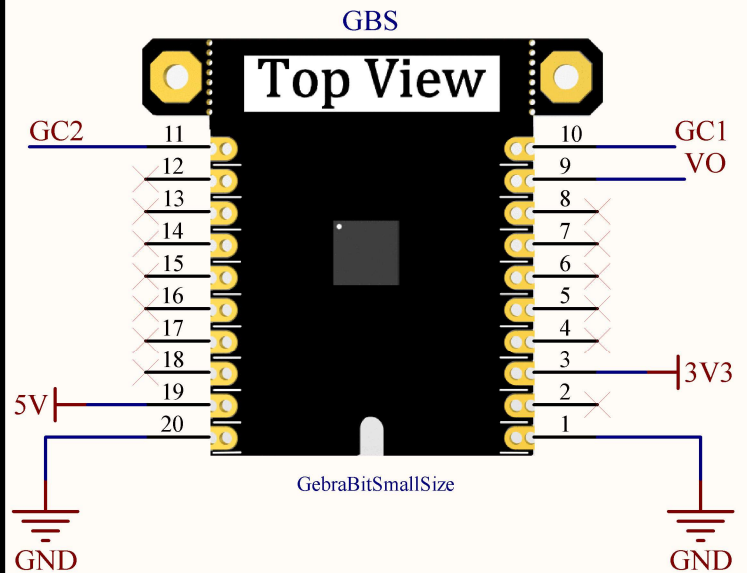
POWER LED



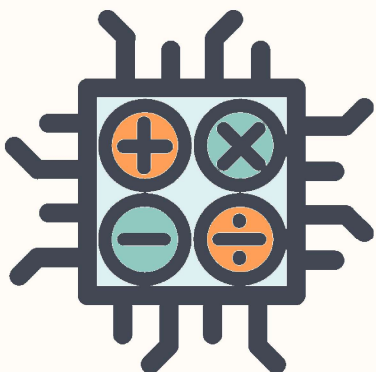
MODE



BH1603FVC-TR CIRCUIT



GEBRABIT PINOUT



GebraBit

[HTTPS://GEBRABIT.COM/](https://gebrabit.com/)

Title: GebraBit BH1603FVC-TR Schematics		Variant: [No Variations]	
Page Contents: GebraBit BH1603FVC-TR Circuits		Checked by: M.Z	
Size: Small	SKU CODE: GB610EN	Revision: V2.0	
Date: 07/15/2025	Designed by: GEBRABIT	Sheet 1 of 1	