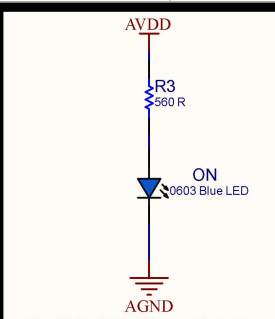
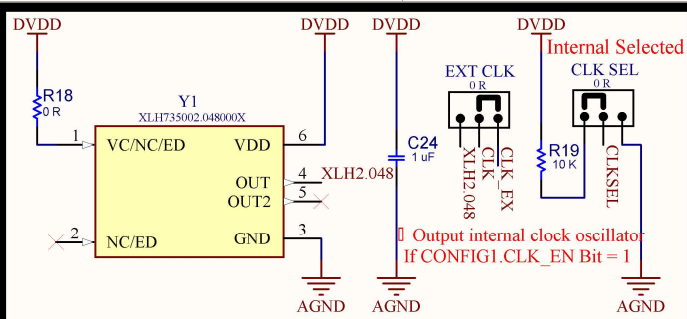


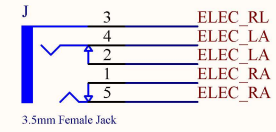
**POWER**



**POWER LED**

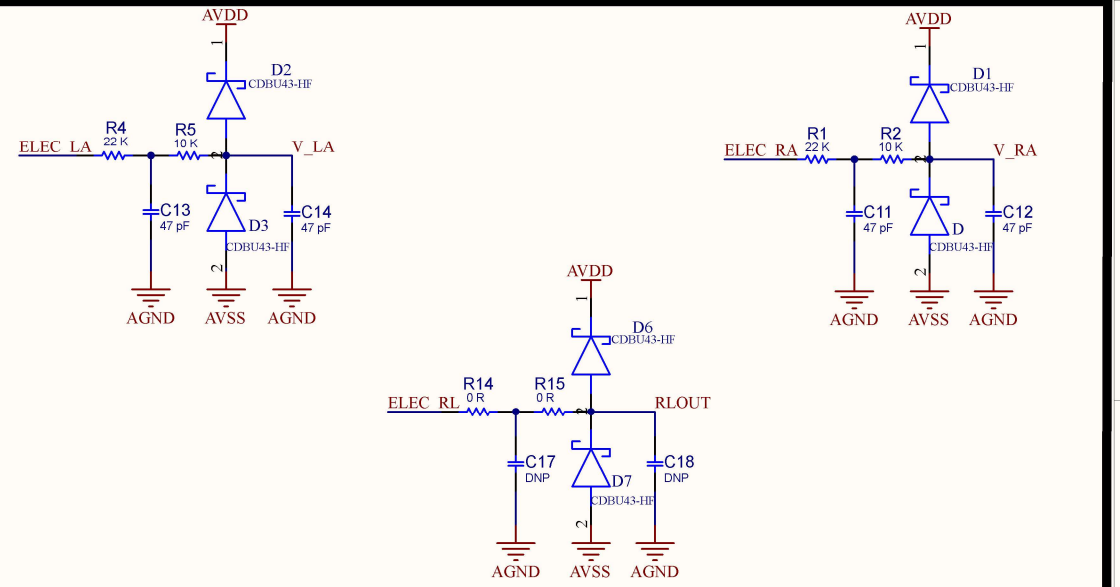
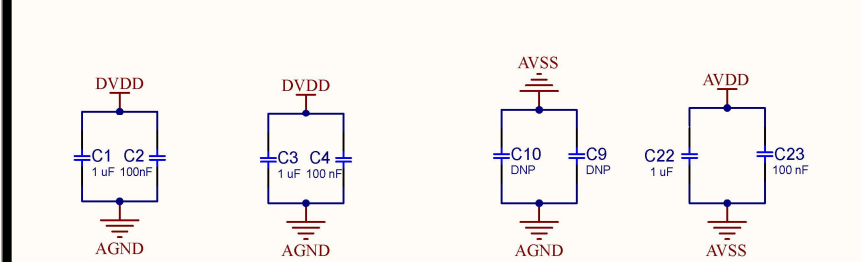
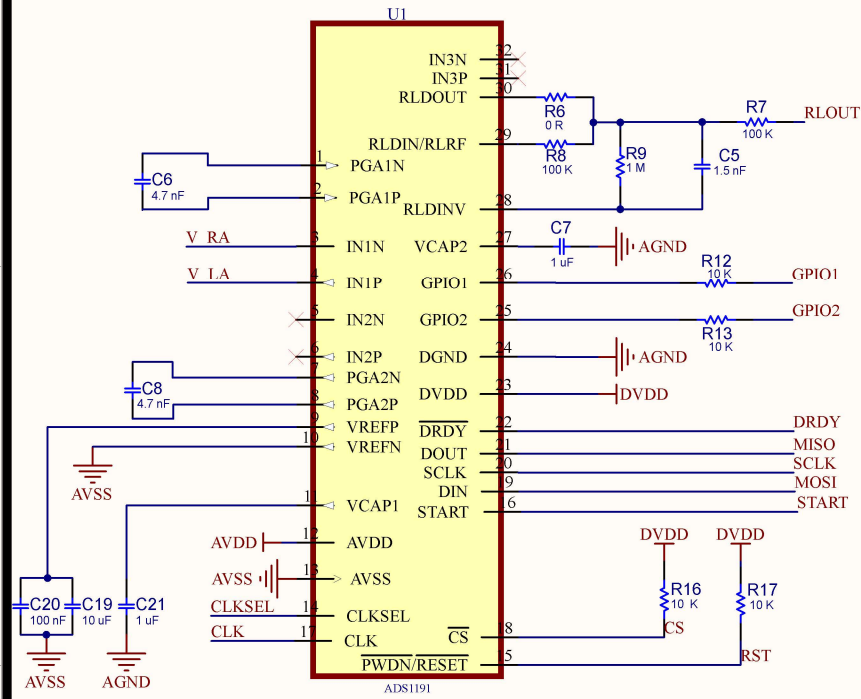


**2.048MHz CLOCK**

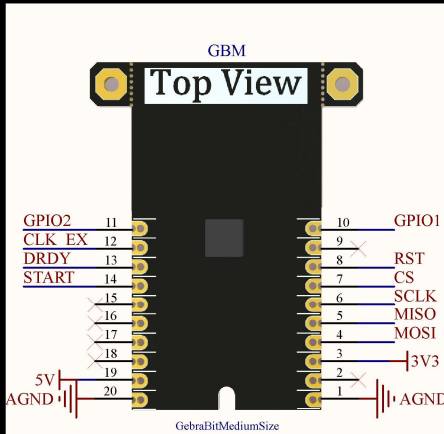


**3.5mm HEADPHONE JACK**

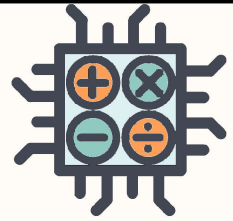
**ADS1191**



**INPUT ECG SIGNALS**



**GEBRABIT PINOUT**



**Gebrabit**

[HTTPS://GEBRABIT.COM/](https://gebrabit.com/)

Title: Gebrabit ADS1191 Schematics		Variant: [No Variations]	
Page Contents: Gebrabit ADS1191 Circuits		Checked by: M.Z	
Size: Medium	SKU CODE: GB205M	Revision: V2.0	
Date: 10/03/2022	Designed by: GEBRABIT	Sheet 1 of 1	