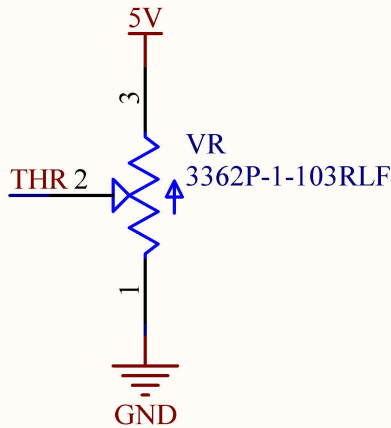
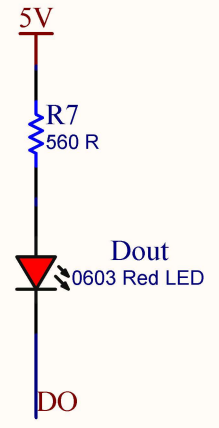


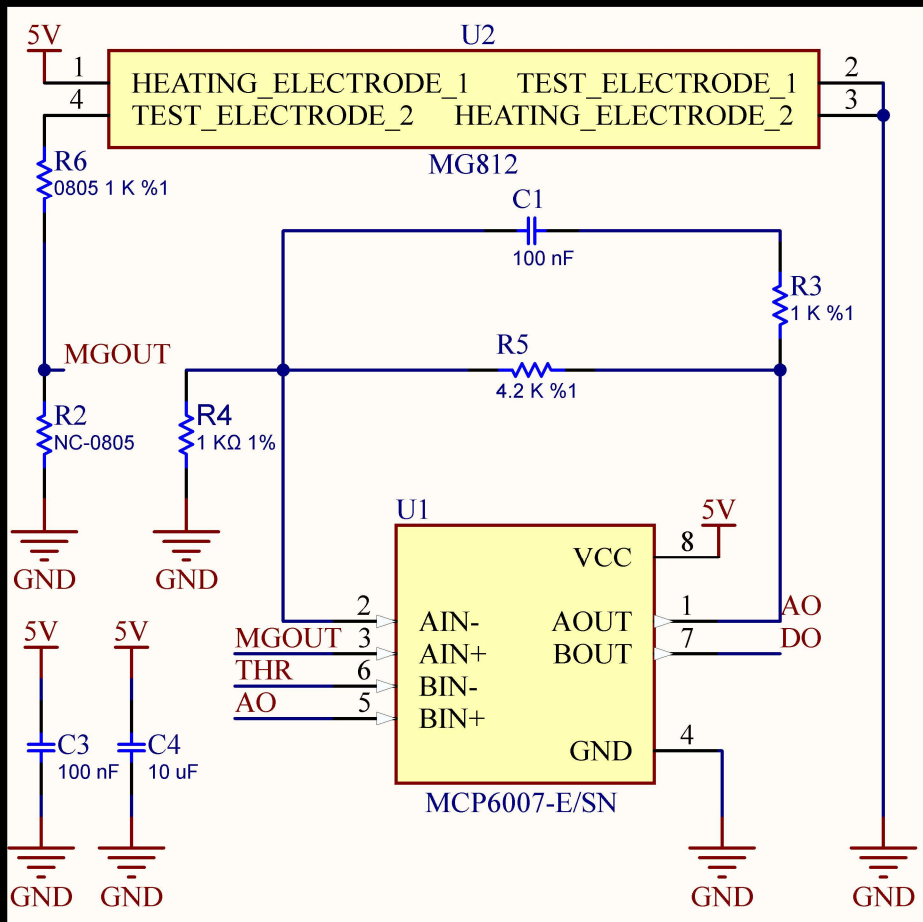
**POWER LED**



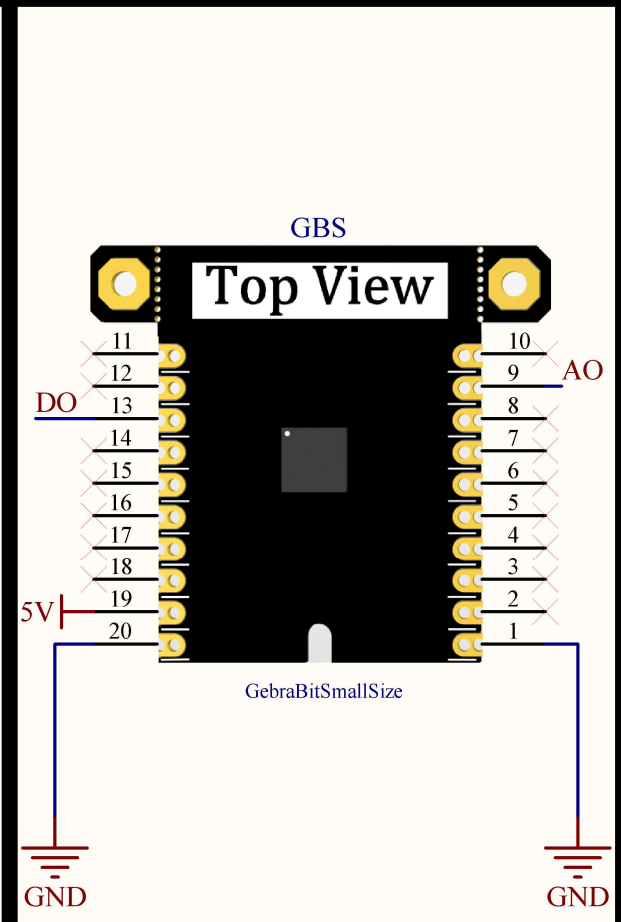
**THRESHOLD POT**



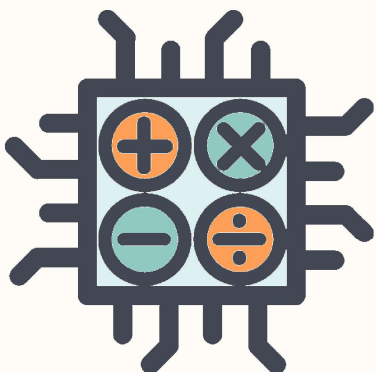
**THRESHOLD LED**



**MG-812 CIRCUIT**



**GEBRABIT PINOUT**



# GebraBit

[HTTPS://GEBRABIT.COM/](https://gebrabit.com/)

Title: GebraBit MG-812 Schematics		Variant: [No Variations]	
Page Contents: GebraBit MG-812 Circuits		Checked by: M.Z	
Size: Small	SKU CODE: GB600EN	Revision: V2.0	
Date: 07/15/2025	Designed by: GEBRABIT	Sheet 1	of 1