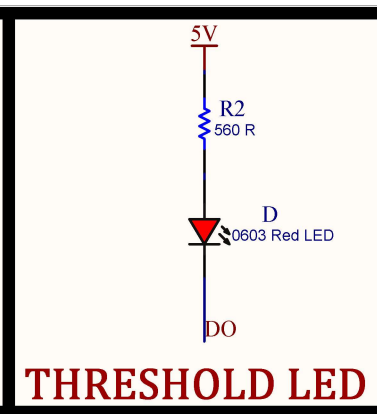
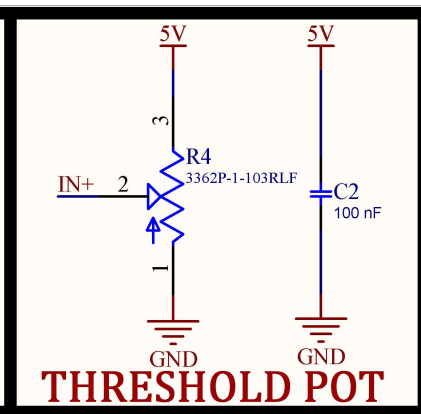


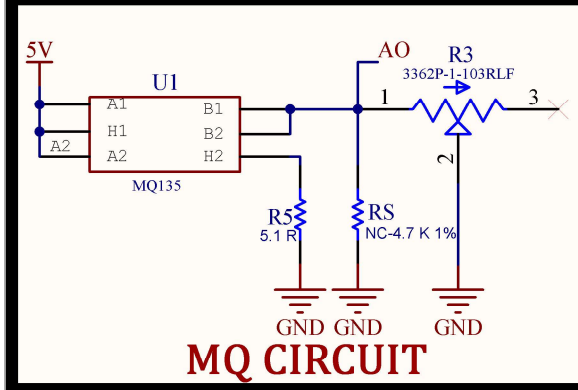
POWER LED



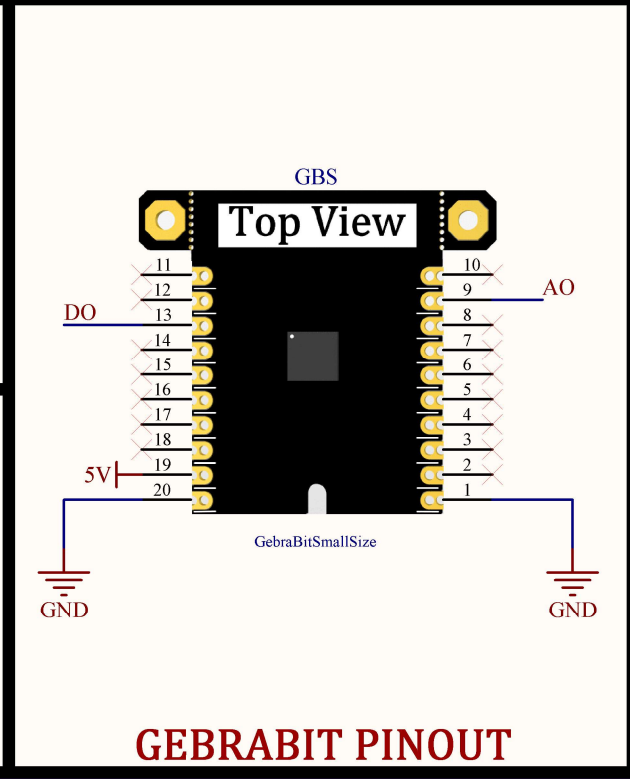
THRESHOLD LED



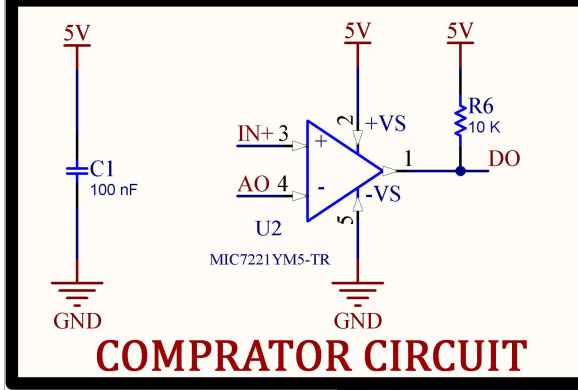
THRESHOLD POT



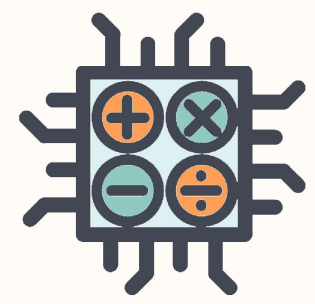
MQ CIRCUIT



GEBRABIT PINOUT



COMPRATOR CIRCUIT



GebraBit		
HTTPS://GEBRABIT.COM/		
Title:	GebraBit MQ Schematics	Variant: [No Variations]
Page Contents:	GebraBit MQ Circuits	Checked by: M.Z
Size:	Small	SKU CODE: GB601EN
		Revision: V2.0
Date:	07/06/2024	Designed by: GEBRABIT
	Sheet 1	of 1