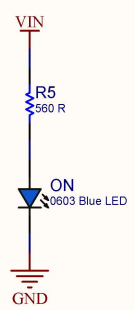
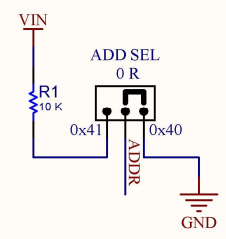


By default "VCC SEL"
jumper is shorted to the 3V3

VCC SEL

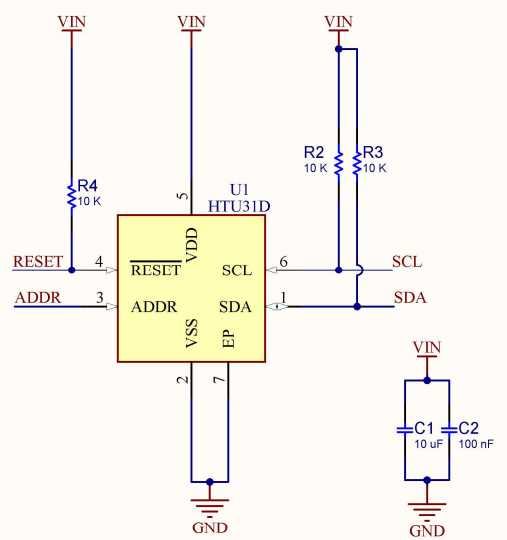


POWER LED

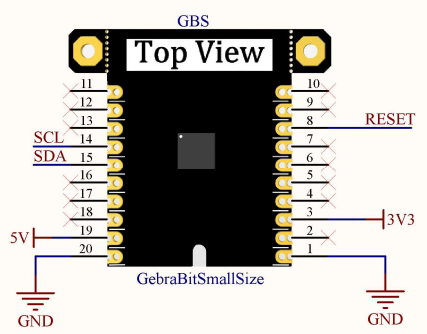


By default "ADD SEL"
jumper is shorted to the GND

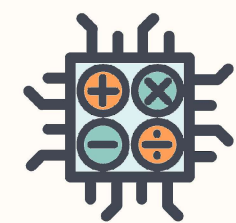
ADD SEL



HTU31D



GEBRABIT PINOUT



GebraBit		
HTTPS://GEBRABIT.COM/		
Title: GebraBit HTU31D Schematics		Variant: [No Variations]
Page Contents: GebraBit HTU31D Circuits		Checked by: R.A
Size: SMALL	SKU CODE: GB621EN	Revision: V2.0
Date: 06/11/2023	Designed by: GEBRABIT	Sheet 1 of 1